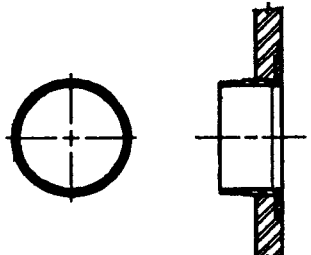
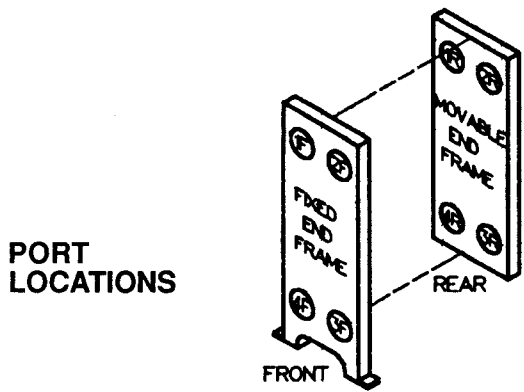
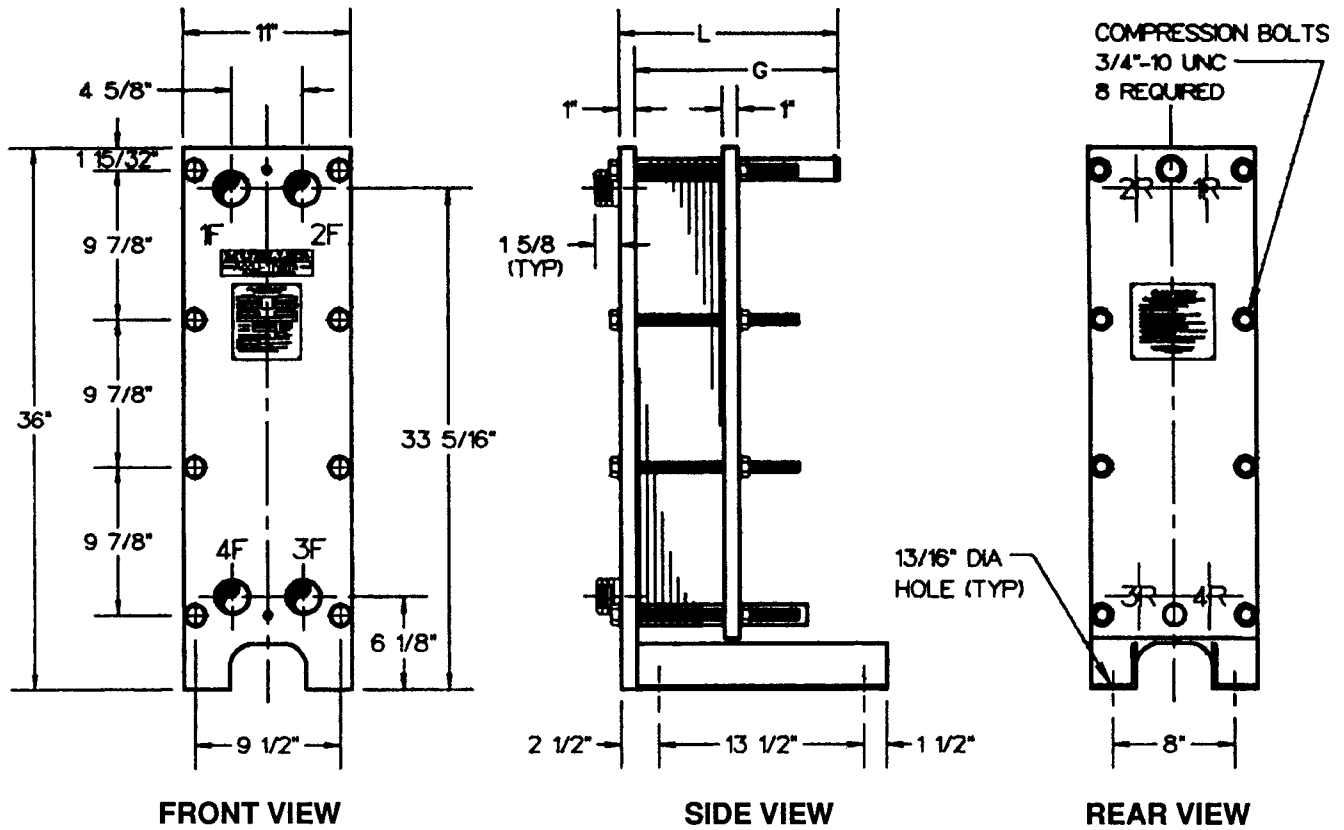


Accu-Therm[®] Plate Heat Exchangers



STANDARD CONNECTION
 Standard 2" Pipe T.O.E.
 (Refer to reverse side for additional connection details.)

STANDARD MATERIALS OF CONSTRUCTION

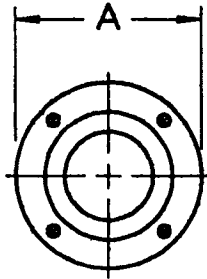
- End frames SA-515-70, SA-516-70, or equivalent
- Plate hanger Type 304 stainless steel
- Compression bolts (zinc plated) SA-193-B7
- Compression nuts (zinc plated) SA-194-2H
- Shroud (optional) Type 304 stainless steel
- Paint Corrosion-resistant paint

Refer to computer printout for variable dimensions and complete plate, gasket, and connection specifications.

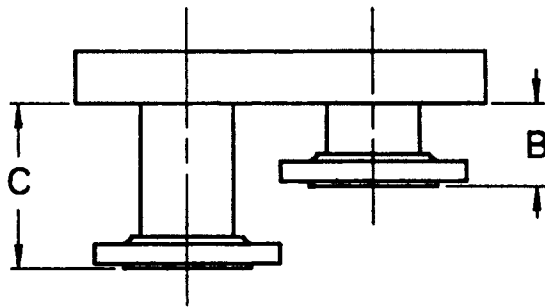


**MODEL AT10
FRAME TYPE C-20**

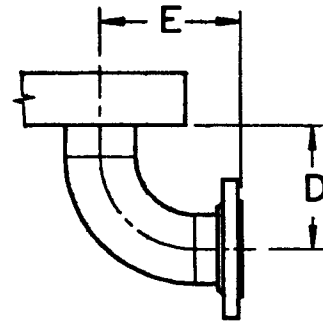
FLANGED CONNECTIONS



FRONT VIEW



TOP VIEW



TOP VIEW

Connection	Size	A	B	C	D	E	No. Bolts/Conn.	Bolt Size
Pipe T.O.E.	2"	—	—	—	—	—	—	—
Lap-joint flange	1"	4 ¹ / ₂ "	4"	7 ¹ / ₈ "	—	—	4	1/2"-13 UNC
	1 ¹ / ₂ "	5"	4"	7 ¹ / ₈ "	—	—	4	1/2"-13 UNC
	2"	6"	4"	7 ¹ / ₈ "	—	—	4	5/8"-11 UNC
Lap joint with elbow	1"	4 ¹ / ₂ "	—	—	3 ⁹ / ₁₆ "	4 ¹ / ₂ "	4	1/2"-13 UNC
	1 ¹ / ₂ "	5"	—	—	5 ¹³ / ₁₆ "	6 ³ / ₄ "	4	1/2"-13 UNC
	2"	6"	—	—	8 ¹ / ₁₆ "	9"	4	5/8"-11 UNC

- NOTE: 1. Adjacent flange faces must be offset in some cases. Flanges located at Port Positions 1 and 4 are extended to "C" dimension when offset is required.
 2. If connections are other than the standard connection (shown on front), or if the unit is a multipass, contact Paul Mueller Company for clarification.

PLATE CAPACITY / GUIDE LENGTH

Guide length (DM G)	13 ¹ / ₂ "
Frame length (DM L)	14 ¹ / ₂ "
Plate cap. AT10 H/V 0.6 mm	62

PLATE CAPACITY / COMPRESSION-BOLT LENGTH

Compression-bolt length	12"	18"
Plate cap. AT10 H/V 0.6 mm	44	79

Paul Mueller Company

P.O. Box 828 • Springfield, MO 65801-0828

Telephone: (417) 831-3000 • 1-800-MUELLER

Fax: (417) 831-6642