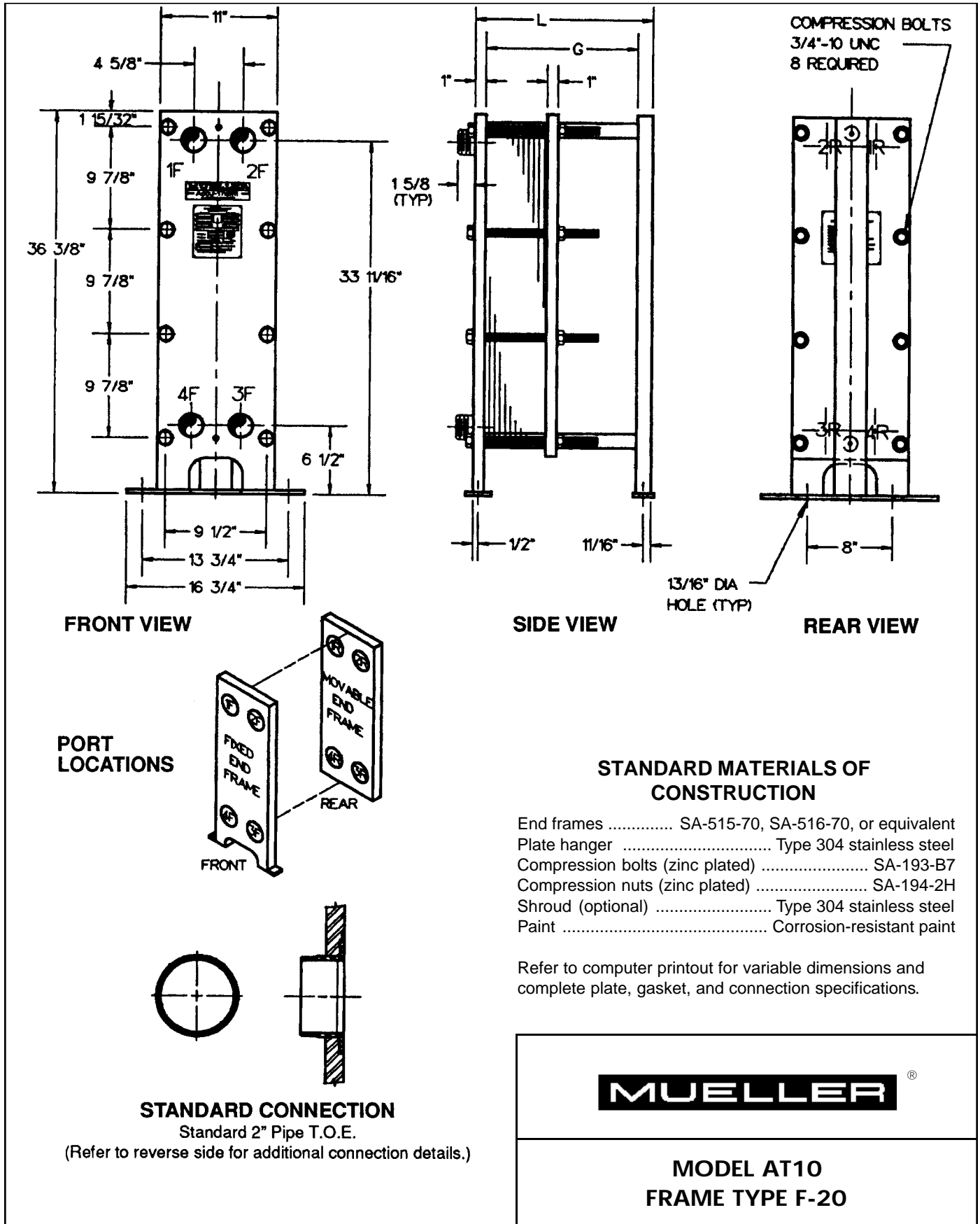
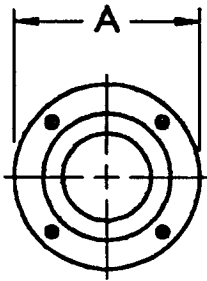


# Accu-Therm<sup>®</sup>

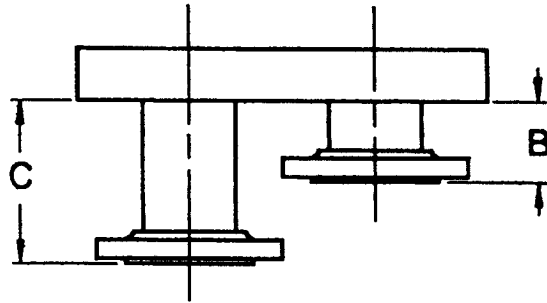
## Plate Heat Exchangers



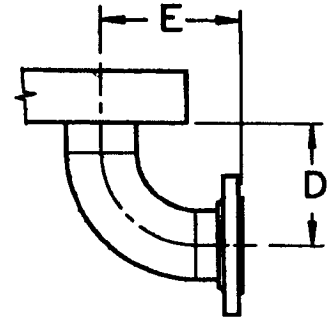
## FLANGED CONNECTIONS



FRONT VIEW



TOP VIEW



TOP VIEW

Connection	Size	A	B	C	D	E	No. Bolts/Conn.	Bolt Size
Pipe T.O.E.	2"	—	—	—	—	—	—	—
Lap-joint flange	1"	4 <sup>1</sup> / <sub>2</sub> "	4"	7 <sup>1</sup> / <sub>8</sub> "	—	—	4	1/2"-13 UNC
	1 <sup>1</sup> / <sub>2</sub> "	5"	4"	7 <sup>1</sup> / <sub>8</sub> "	—	—	4	1/2"-13 UNC
	2"	6"	4"	7 <sup>1</sup> / <sub>8</sub> "	—	—	4	5/8"-11 UNC
Lap joint with elbow	1"	4 <sup>1</sup> / <sub>2</sub> "	—	—	3 <sup>9</sup> / <sub>16</sub> "	4 <sup>1</sup> / <sub>2</sub> "	4	1/2"-13 UNC
	1 <sup>1</sup> / <sub>2</sub> "	5"	—	—	5 <sup>13</sup> / <sub>16</sub> "	6 <sup>3</sup> / <sub>4</sub> "	4	1/2"-13 UNC
	2"	6"	—	—	8 <sup>1</sup> / <sub>16</sub> "	9"	4	5/8"-11 UNC

NOTE: 1. Adjacent flange faces must be offset in some cases. Flanges located at Port Positions 1 and 4 are extended to "C" dimension when offset is required.

2. If connections are other than the standard connection (shown on front), or if the unit is a multipass, contact Paul Mueller Company for clarification.

### PLATE CAPACITY / GUIDE LENGTH

Guide length (DM G)	30"	48"
Length (DM L)	32 <sup>7</sup> / <sub>16</sub> "	50 <sup>7</sup> / <sub>16</sub> "
Plate cap. AT10 H/V 0.6 mm	110	216

### PLATE CAPACITY / COMPRESSION-BOLT LENGTH

Compression-bolt length	12"	18"	24"	36"
Plate cap. AT10 H/V 0.6 mm	44	79	115	185

### Paul Mueller Company

P.O. Box 828 • Springfield, MO 65801-0828

Telephone: (417) 831-3000 • 1-800-MUELLER

Fax: (417) 831-6642