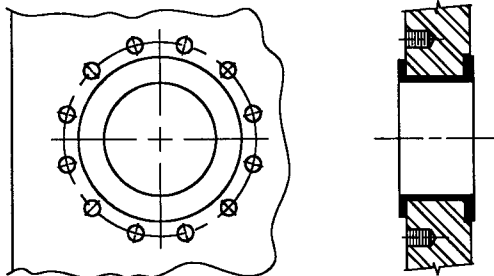
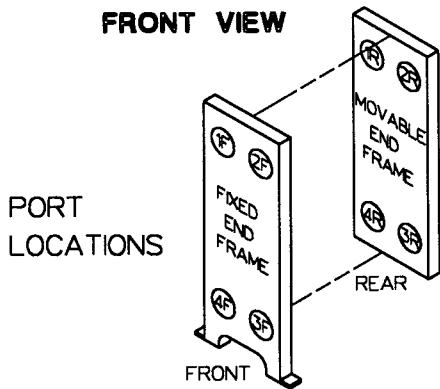
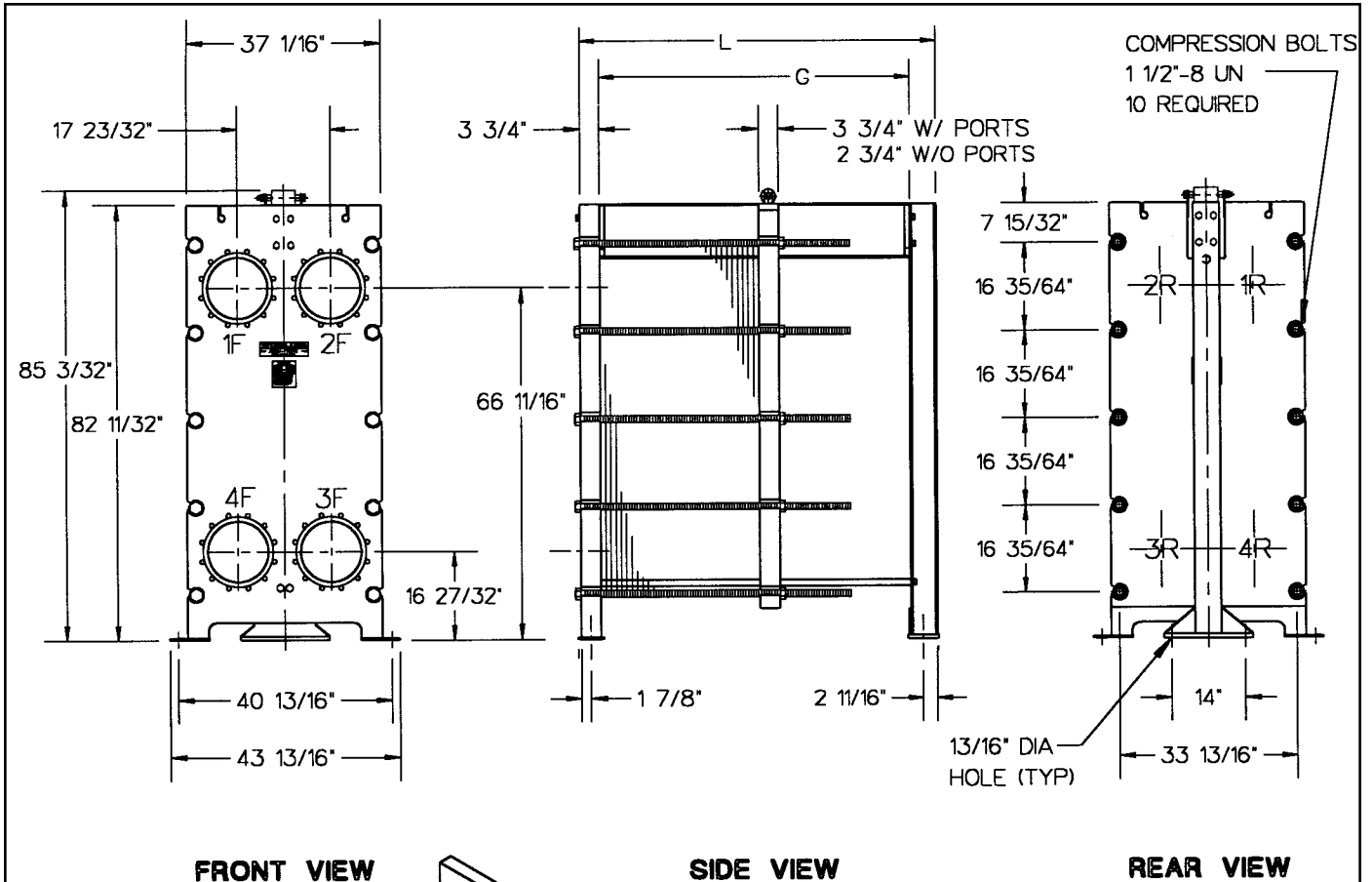


# Accu-Therm<sup>®</sup>

## Plate Heat Exchangers



**STANDARD CONNECTION**  
STANDARD 10" STUDDED PORT  
(REFER TO REVERSE SIDE FOR ADDITIONAL CONNECTION DETAILS).

**SIDE VIEW**

**REAR VIEW**

### STANDARD MATERIALS OF CONSTRUCTION

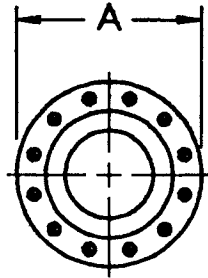
End frames .....	SA-515-70, SA-516-70, or equivalent
Plate hanger .....	Type 304 stainless steel
Compression bolts (zinc plated) .....	SA-193-B7
Compression nuts (zinc plated) .....	SA-194-2H
Connection studs (zinc plated) (optional).....	SA-193-B7
Connection nuts (zinc plated) (optional).....	SA-193-2H
Shroud (optional) .....	Type 304 stainless steel
Paint .....	Corrosion-resistant paint

Refer to computer printout for variable dimensions and complete plate, gasket, and connection specifications.

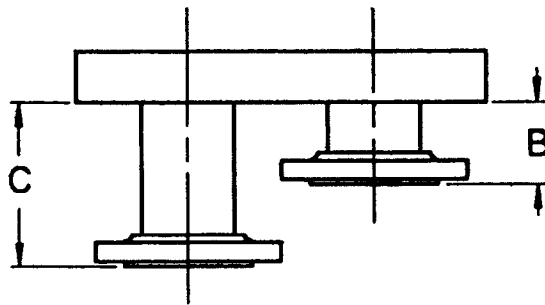
**MUELLER<sup>®</sup>**

**MODEL AT1306**  
**FRAME TYPE B-20**

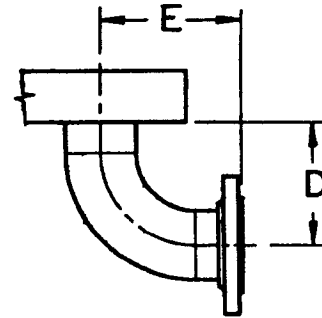
## FLANGED CONNECTIONS



FRONT VIEW



TOP VIEW



TOP VIEW

Connection	Size	A	B	C	D	E	No. Bolts/Conn.	Bolt Size
Studded port	10"	—	—	—	—	—	12	7/8"-9 UNC
Lap-joint flange	10"	16"	4 <sup>3</sup> / <sub>4</sub> "	—	—	—	12	7/8"-9 UNC
	12"	19"	9 <sup>3</sup> / <sub>4</sub> "	14 <sup>3</sup> / <sub>4</sub> "	—	—	12	7/8"-9 UNC
Lap joint with elbow	10"	16"	—	—	17"	18"	12	7/4"-9 UNC
	12"	19"	—	—	20"	21"	12	7/8"-9 UNC

- NOTE: 1. Adjacent flange faces must be offset in some cases. Flanges located at Port Positions 1 and 4 are extended to "C" dimension when offset is required.  
 2. If connections are other than the standard connection (shown on front), or if the unit is a multipass, contact Paul Mueller Company for clarification.

## PLATE CAPACITY / GUIDE LENGTH

Guide length (DM G)	42"	60"	78"	96"	114"	132"	150"	168"
Frame length (DM L)	50 <sup>3</sup> / <sub>4</sub> "	68 <sup>3</sup> / <sub>4</sub> "	86 <sup>3</sup> / <sub>4</sub> "	104 <sup>3</sup> / <sub>4</sub> "	122 <sup>3</sup> / <sub>4</sub> "	140 <sup>3</sup> / <sub>4</sub> "	158 <sup>3</sup> / <sub>4</sub> "	176 <sup>3</sup> / <sub>4</sub> "
Plate cap. AT1306 H/V 0.6 mm	89	170	252	334	415	497	579	660
Plate cap. AT1306 F/G 0.6 mm	116	222	329	436	542	649	756	863

## PLATE CAPACITY / COMPRESSION-BOLT LENGTH

Compression-bolt length	12"	18"	24"	36"	48"	60"	78"	96"	114"	132"	144"
Plate cap. AT1306 H/V 0.6 mm	14	41	68	123	177	232	313	395	477	558	640
Plate cap. AT1306 F/G 0.6 mm	18	53	89	160	231	302	409	516	622	729	836

### Paul Mueller Company

P.O. Box 828 • Springfield, MO 65801-0828

Telephone: (417) 831-3000 • 1-800-MUELLER

Fax: (417) 831-6642