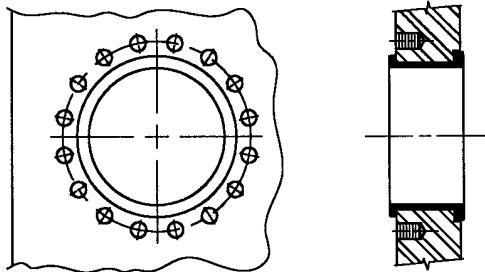
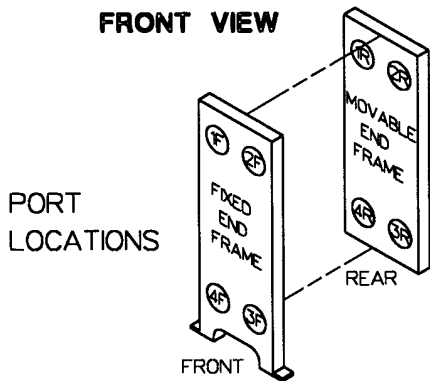
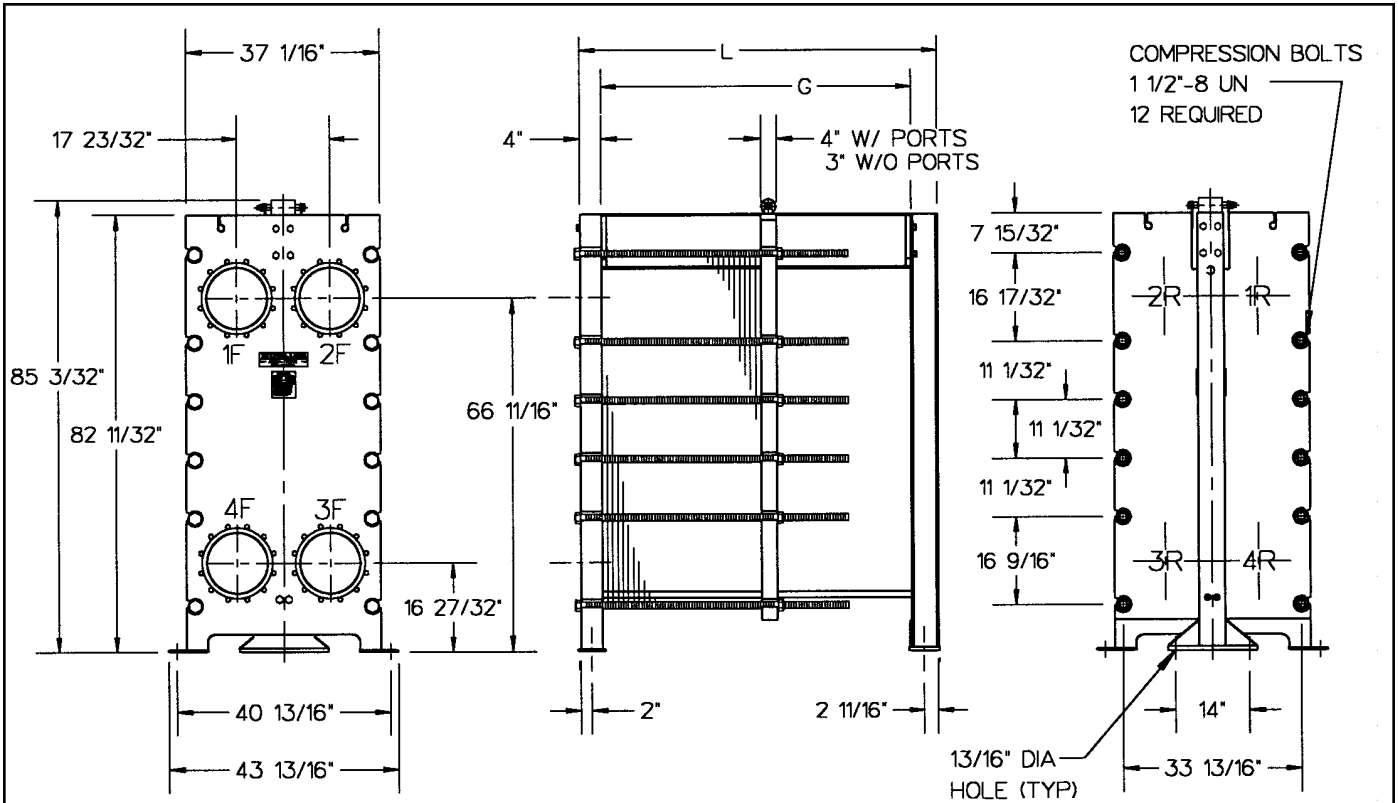


# Accu-Therm<sup>®</sup>

## Plate Heat Exchangers



STANDARD CONNECTION  
STANDARD 10" STUDDED PORT  
(REFER TO REVERSE SIDE FOR ADDITIONAL CONNECTION DETAILS).

**SIDE VIEW**

**REAR VIEW**

### STANDARD MATERIALS OF CONSTRUCTION

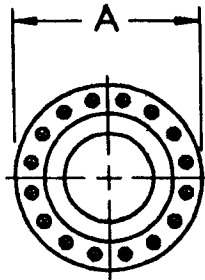
End frames ..... SA-515-70, SA-516-70, or equivalent  
 Plate hanger ..... Type 304 stainless steel  
 Compression bolts (zinc plated) ..... SA-193-B7  
 Compression nuts (zinc plated) ..... SA-194-2H  
 Connection studs (zinc plated) (optional).....SA-193-B7  
 Connection nuts (zinc plated) (optional).....SA-193-2H  
 Shroud (optional) ..... Type 304 stainless steel  
 Paint ..... Corrosion-resistant paint

Refer to computer printout for variable dimensions and complete plate, gasket, and connection specifications.

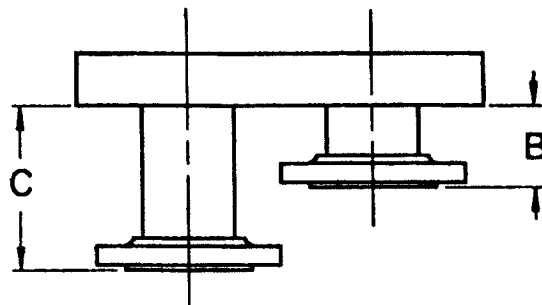
**MUELLER<sup>®</sup>**

**MODEL AT1306**  
**FRAME TYPE B-25**

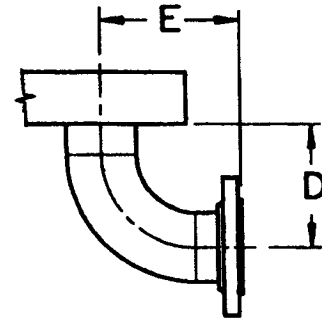
**FLANGED CONNECTIONS**



**FRONT VIEW**



**TOP VIEW**



**TOP VIEW**

Connection	Size	A	B	C	D	E	No. Bolts/Conn.	Bolt Size
Studded port	10"	—	—	—	—	—	16	1"-8 UNC
Lap-joint flange	10"	17 <sup>1</sup> / <sub>2</sub> "	4 <sup>1</sup> / <sub>2</sub> "	—	—	—	16	1"-8 UNC
	12"	20 <sup>1</sup> / <sub>2</sub> "	9 <sup>1</sup> / <sub>2</sub> "	14 <sup>1</sup> / <sub>2</sub> "	—	—	16	1 <sup>1</sup> / <sub>8</sub> "-8 UNC
Lap joint with elbow	10"	17 <sup>1</sup> / <sub>2</sub> "	—	—	17"	18"	16	1 <sup>1</sup> / <sub>8</sub> "-8 UNC
	12"	20 <sup>1</sup> / <sub>2</sub> "	—	—	20"	21"	16	1 <sup>1</sup> / <sub>8</sub> "-8 UNC

NOTE: 1. Adjacent flange faces must be offset in some cases. Flanges located at Port Positions 1 and 4 are extended to "C" dimension when offset is required.  
 2. If connections are other than the standard connection (shown on front), or if the unit is a multipass, contact Paul Mueller Company for clarification.

**PLATE CAPACITY / GUIDE LENGTH**

Guide length (DM G)	42"	60"	78"	96"	114"	132"	150"	168"
Frame length (DM L)	51"	69"	87"	105"	123"	141"	159"	177"
Plate cap. AT1306 F/G 0.6 mm	116	222	329	436	542	649	756	863

**PLATE CAPACITY / COMPRESSION-BOLT LENGTH**

Compression-bolt length	12"	18"	24"	36"	48"	60"	78"	96"	114"	132"	150"
Plate cap. AT1306 F/G 0.6 mm	18	53	89	160	231	302	409	516	622	729	836

**Paul Mueller Company**

P.O. Box 828 • Springfield, MO 65801-0828

Telephone: (417) 831-3000 • 1-800-MUELLER

Fax: (417) 831-6642