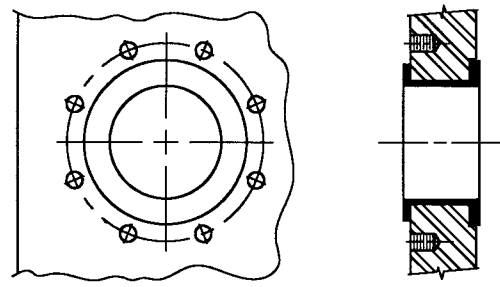
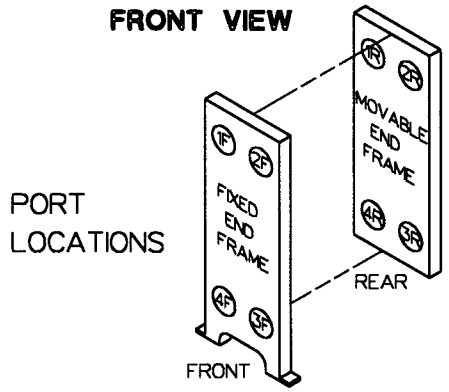
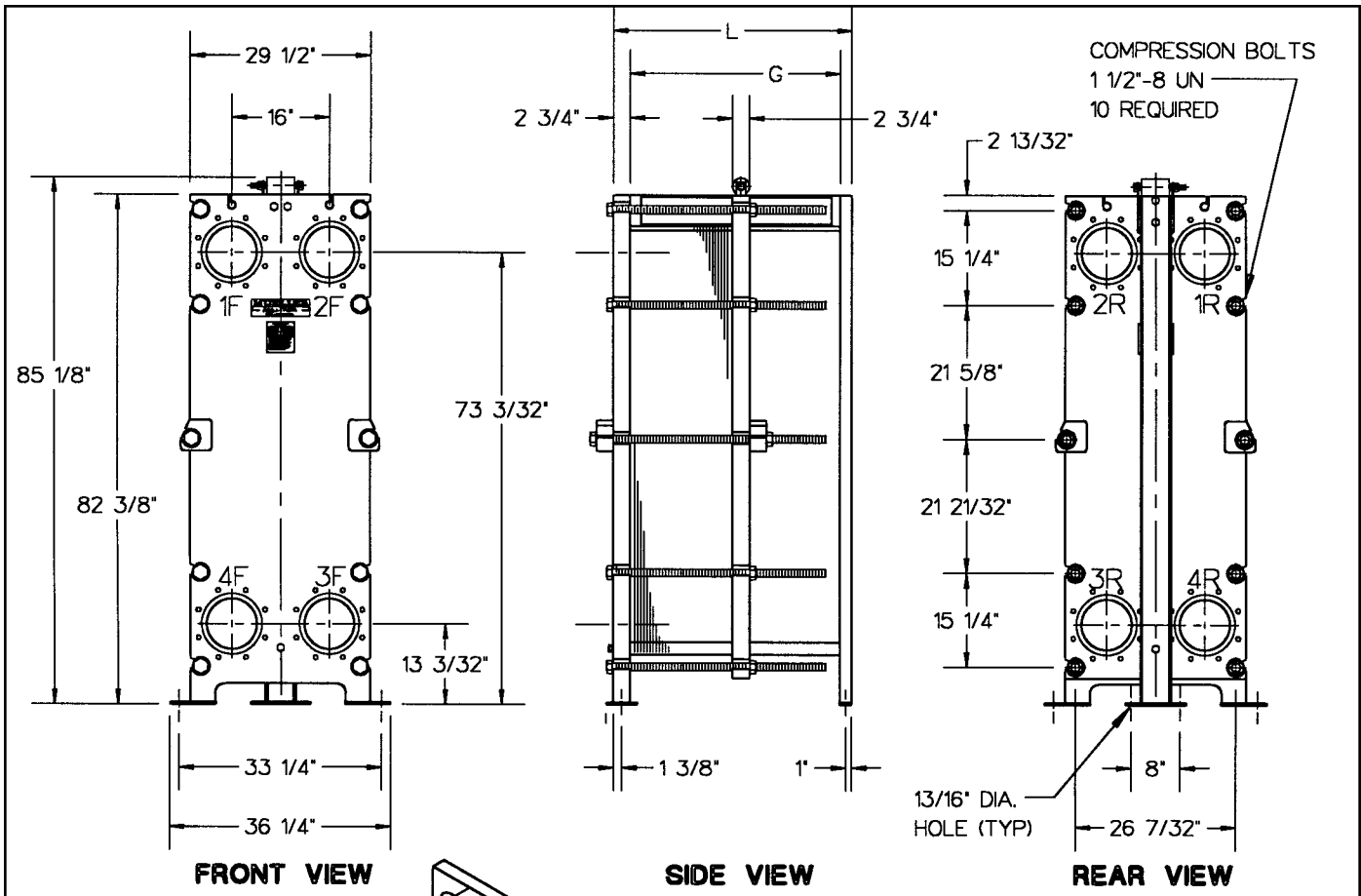


Accu-Therm[®] Plate Heat Exchangers




STANDARD CONNECTION
STANDARD 8" STUDDED PORT
(REFER TO REVERSE SIDE FOR ADDITIONAL CONNECTION DETAILS).

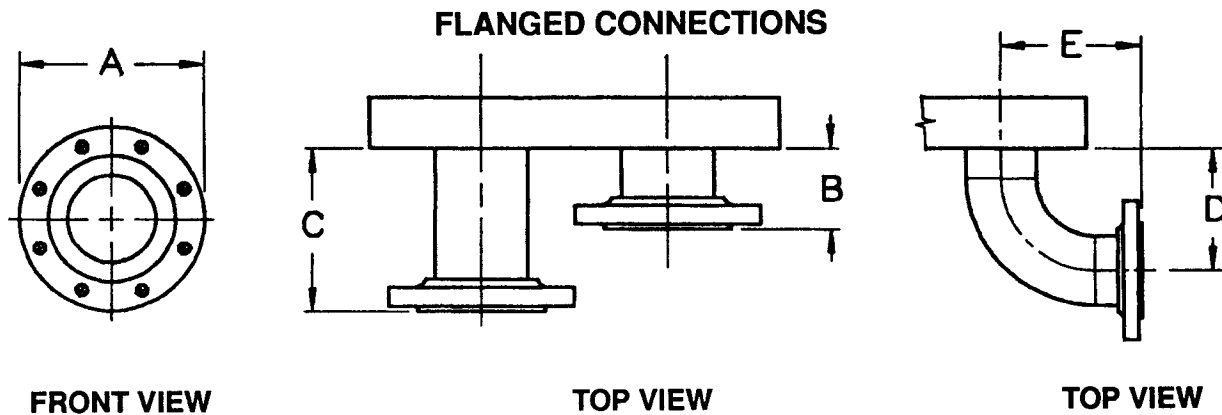
STANDARD MATERIALS OF CONSTRUCTION

- End frames SA-515-70, SA-516-70, or equivalent
- Plate hanger Type 304 stainless steel
- Compression bolts (zinc plated) SA-193-B7
- Compression nuts (zinc plated) SA-194-2H
- Connection studs (zinc plated) (optional).....SA-193-B7
- Connection nuts (zinc plated) (optional).....SA-193-2H
- Shroud (optional) Type 304 stainless steel
- Paint Corrosion-resistant paint

Refer to computer printout for variable dimensions and complete plate, gasket, and connection specifications.



**MODEL AT184
FRAME TYPE B-10**



Connection	Size	A	B	C	D	E	No. Bolts/Conn.	Bolt Size
Studded port	6"	—	—	—	—	—	8	3/4"-10 UNC
	8"	—	—	—	—	—	8	3/4"-10 UNC
Lap-joint flange	N/A	—	—	—	—	—	—	—
Lap joint with elbow	N/A	—	—	—	—	—	—	—

NOTE: 1. If connections are other than the standard connection (shown on front), or if the unit is a multipass, contact Paul Mueller Company for clarification.

PLATE CAPACITY / GUIDE LENGTH

Guide length (DM G)	30"	48"	66"	84"	102"	120"
Frame length (DM L)	34 ⁵ / ₈ "	52 ⁵ / ₈ "	70 ⁵ / ₈ "	88 ⁵ / ₈ "	106 ⁵ / ₈ "	124 ⁵ / ₈ "
Plate cap. AT184FF 1.00 mm	8	46	82	120	158	194
Plate cap. AT184FF 0.9 mm	8	46	82	120	158	196

PLATE CAPACITY / COMPRESSION-BOLT LENGTH

Compression-bolt length	12"	18"	24"	36"	48"	60"	78"	96"	114"
Plate cap. AT184FF 1.00 mm	8	22	34	58	84	108	146	182	220
Plate cap. AT184FF 0.9 mm	8	22	34	58	84	108	146	182	220

Paul Mueller Company

P.O. Box 828 • Springfield, MO 65801-0828

Telephone: (417) 831-3000 • 1-800-MUELLER

Fax: (417) 831-6642