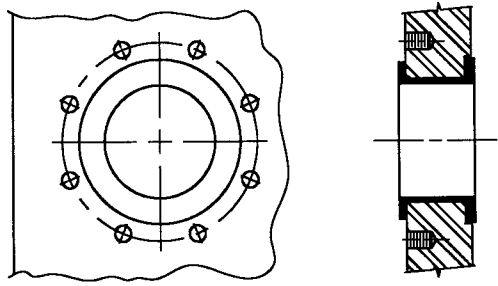
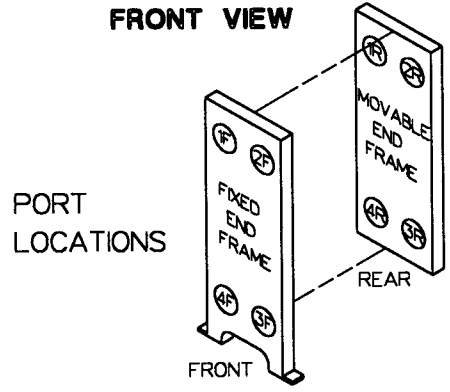
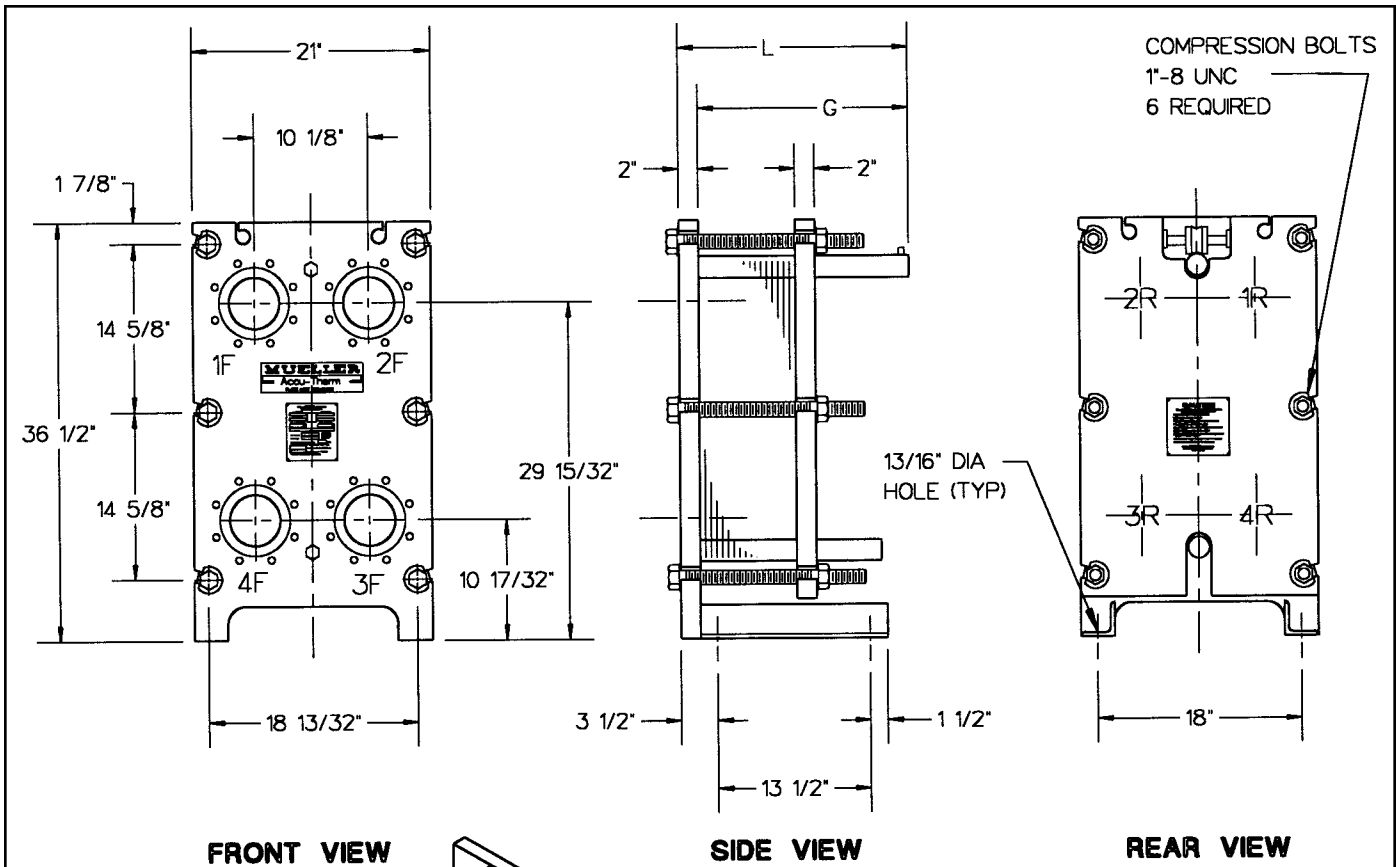


Accu-Therm[®]

Plate Heat Exchangers




STANDARD CONNECTION
 STANDARD 4" STUDED PORT
 (REFER TO REVERSE SIDE FOR ADDITIONAL CONNECTION DETAILS).

STANDARD MATERIALS OF CONSTRUCTION

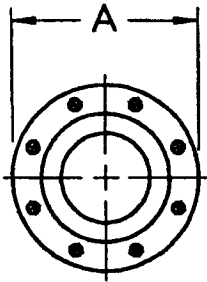
- End frames SA-515-70, SA-516-70, or equivalent
- Plate hanger Type 304 stainless steel
- Compression bolts (zinc plated) SA-193-B7
- Compression nuts (zinc plated) SA-194-2H
- Connection studs (zinc plated) (optional).....SA-193-B7
- Connection nuts (zinc plated) (optional).....SA-193-2H
- Shroud (optional) Type 304 stainless steel
- Paint Corrosion-resistant paint

Refer to computer printout for variable dimensions and complete plate, gasket, and connection specifications.

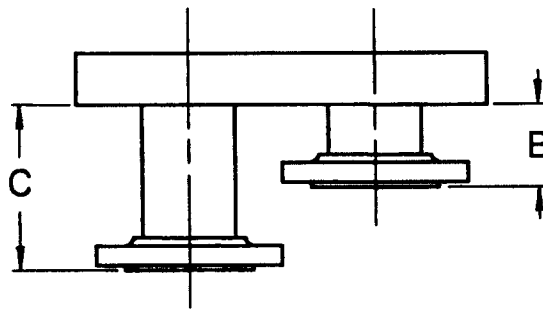


MODEL AT402
FRAME TYPE C-20

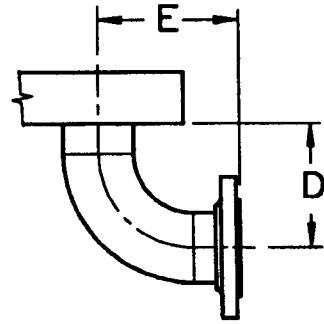
FLANGED CONNECTIONS



FRONT VIEW



TOP VIEW



TOP VIEW

Connection	Size	A	B	C	D	E	No. Bolts/Conn.	Bolt Size
Studded port	4"	—	—	—	—	—	8	5/8"-11 UNC
Lap-joint flange	3"	7 1/2"	3 1/16"	—	—	—	4	5/8"-11 UNC
	4"	9"	4 13/16"	—	—	—	8	5/8"-11 UNC
	6"	11"	4"	8 3/4"	—	—	8	3/4"-10 UNC
Lap joint with elbow	3"	7 1/2"	—	—	6 1/2"	7 1/2"	4	5/8"-11 UNC
	4"	9"	—	—	8"	9"	8	5/8"-11 UNC
	6"	11"	—	—	11"	12"	8	3/4"-10 UNC

- NOTE: 1. Adjacent flange faces must be offset in some cases. Flanges located at Port Positions 1 and 4 are extended to "C" dimension when offset is required.
 2. If connections are other than the standard connection (shown on front), or if the unit is a multipass, contact Paul Mueller Company for clarification.

PLATE CAPACITY / GUIDE LENGTH

Guide length (DM G)	18 1/2"
Frame length (DM L)	20 1/2"
Plate cap. AT402 H/V 0.6 mm	78

PLATE CAPACITY / COMPRESSION-BOLT LENGTH

Compression-bolt length	12"	18"	24"
Plate cap. AT402 H/V 0.6 mm	29	59	88

Paul Mueller Company

P.O. Box 828 • Springfield, MO 65801-0828

Telephone: (417) 831-3000 • 1-800-MUELLER

Fax: (417) 831-6642