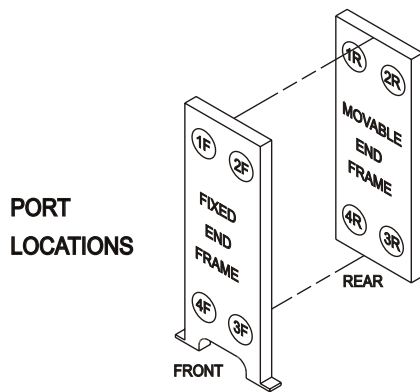
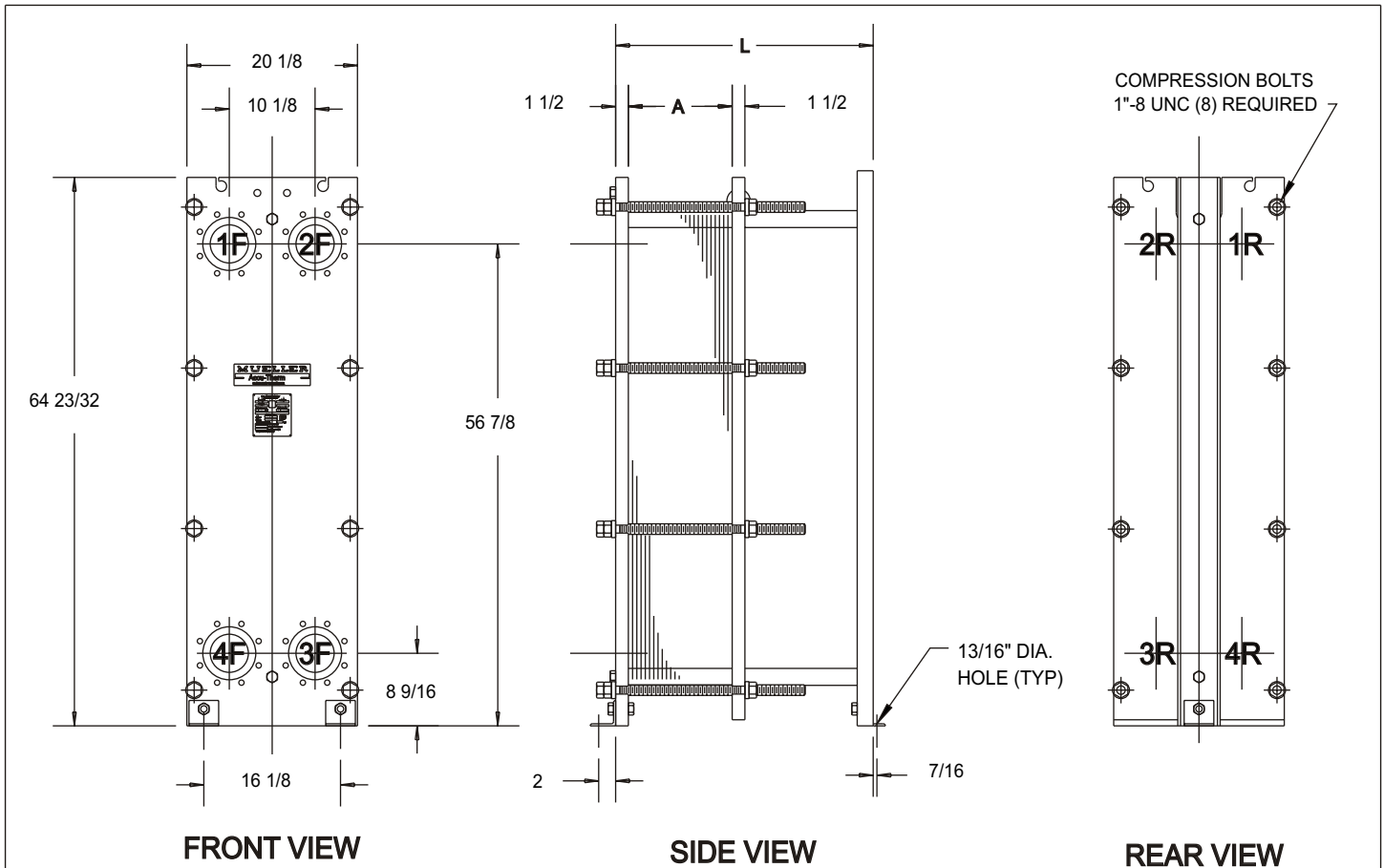


Accu-Therm[®] Plate Heat Exchangers

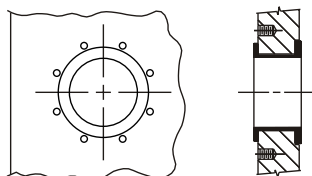


STANDARD MATERIALS OF CONSTRUCTION

END FRAMES..... SA-515-70, SA-516-70 OR EQUIV
 PLATE HANGER..... TYPE 304 S/S
 COMPRESSION BOLTS (ZINC PLATED).....SA-193-B7
 COMPRESSION NUTS (ZINC PLATED)..... SA-194-2H
 CONNECTION STUDS (ZINC PLATED).....SA-193-B7
 CONNECTION NUTS (ZINC PLATED)..... SA-193-2H
 SHROUD (OPTIONAL)..... ALUMINUM
 PAINT..... CORROSION RESISTANT PAINT

DIMENSIONS ARE FOR REFERENCE USE ONLY.
 ACTUAL PRODUCTION DIMENSIONS ARE SUBJECT TO CHANGE.

REFER TO COMPUTER PRINTOUT FOR VARIABLE DIMENSIONS AND
 COMPLETE PLATE, GASKET AND CONNECTION SPECIFICATIONS.



**STANDARD CONNECTION
4" STUDDED PORT**

MUELLER[®]

**MODEL AT40
FRAME TYPE LF-20**

REV DATE 9/29/06