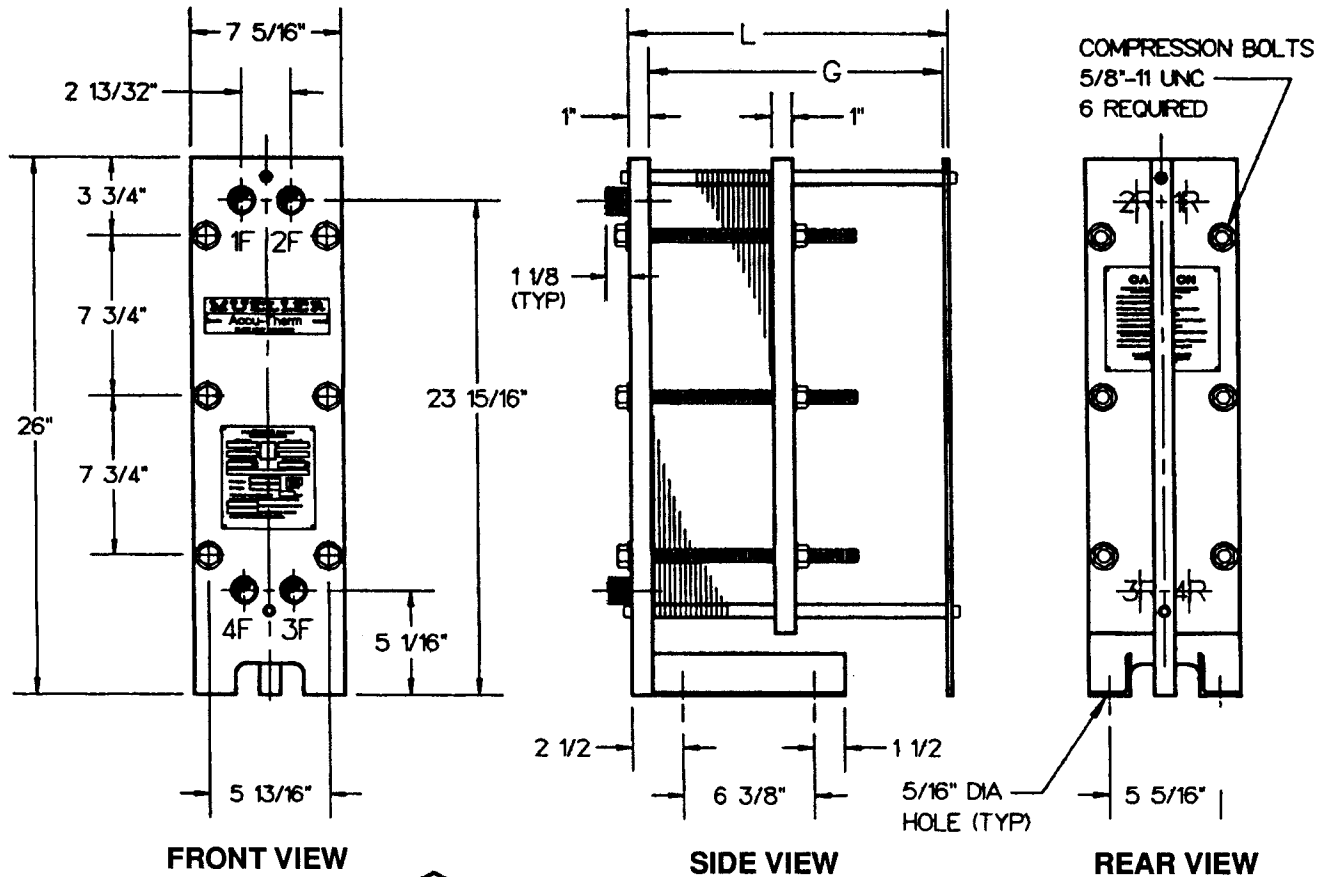
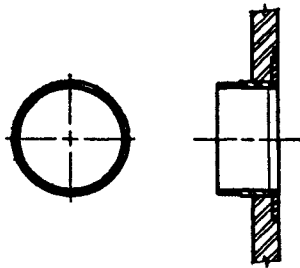
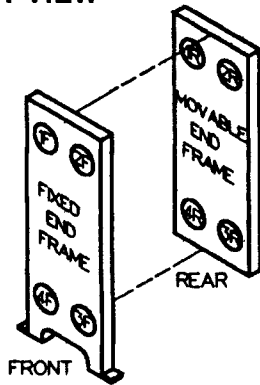


Accu-Therm[®] Plate Heat Exchangers



PORT LOCATIONS



STANDARD CONNECTION

Standard 1" Pipe T.O.E.

(Refer to reverse side for additional connection details.)

STANDARD MATERIALS OF CONSTRUCTION

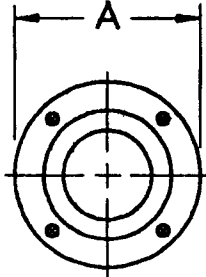
- End frames SA-515-70, SA-516-70, or equivalent
- Plate hanger Type 304 stainless steel
- Compression bolts (zinc plated) SA-193-B7
- Compression nuts (zinc plated) SA-194-2H
- Shroud (optional) Type 304 stainless steel
- Paint Corrosion-resistant paint

Refer to computer printout for variable dimensions and complete plate, gasket, and connection specifications.

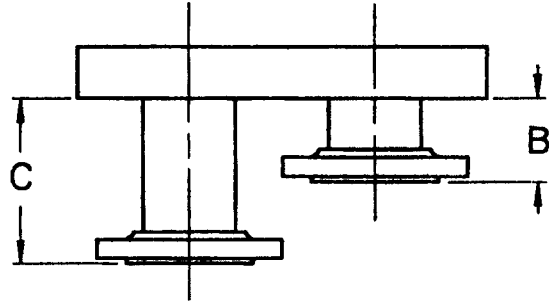
MUELLER[®]

**MODEL AT4
FRAME TYPE F-30**

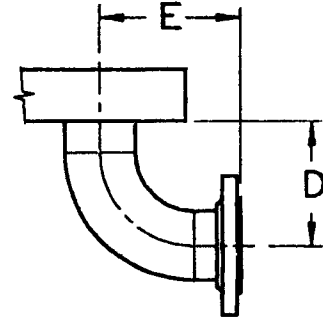
FLANGED CONNECTIONS



FRONT VIEW



TOP VIEW



TOP VIEW

Connection	Size	A	B	C	D	E	No. Bolts/Conn.	Bolt Size
Pipe T.O.E.	1"	—	—	—	—	—	—	—
Lap-joint flange	1/2"	3 1/2"	4"	8"	—	—	4	1/2"-13 UNC
Lap joint with elbow	1/2"	3 1/2"	—	—	27/16"	3"	4	1/2"-13 UNC
	1"	4 1/4"	—	—	3 15/16"	4 1/2"	4	1/2"-13 UNC
	1 1/4"	4 5/8"	—	—	4 7/16"	5"	4	1/2"-13 UNC

NOTE: 1. Adjacent flange faces must be offset in some cases. Flanges located at Port Positions 1 and 4 are extended to "C" dimension when offset is required.
 2. If connections are other than the standard connection (shown on front), or if the unit is a multipass, contact Paul Mueller Company for clarification.

PLATE CAPACITY / GUIDE LENGTH

Guide length (DM G)	22"
Frame length (DM L)	23 1/4"
Plate cap. AT4 F/G 0.5 mm	103
Plate cap. AT4 P 0.6 mm	99

PLATE CAPACITY / COMPRESSION-BOLT LENGTH

Compression-bolt length	5"	10"	15"	20"
Plate cap. AT4 F/G 0.5 mm	20	55	91	127
Plate cap. AT4 P 0.6 mm	19	53	—	—

Paul Mueller Company

P.O. Box 828 • Springfield, MO 65801-0828

Telephone: (417) 831-3000 • 1-800-MUELLER

Fax: (417) 831-6642