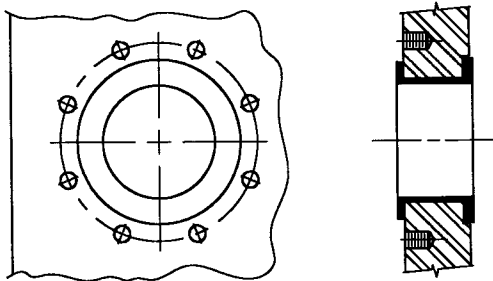
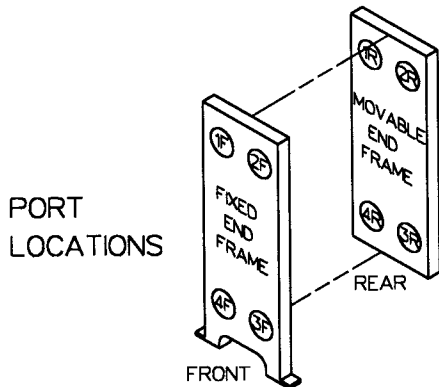
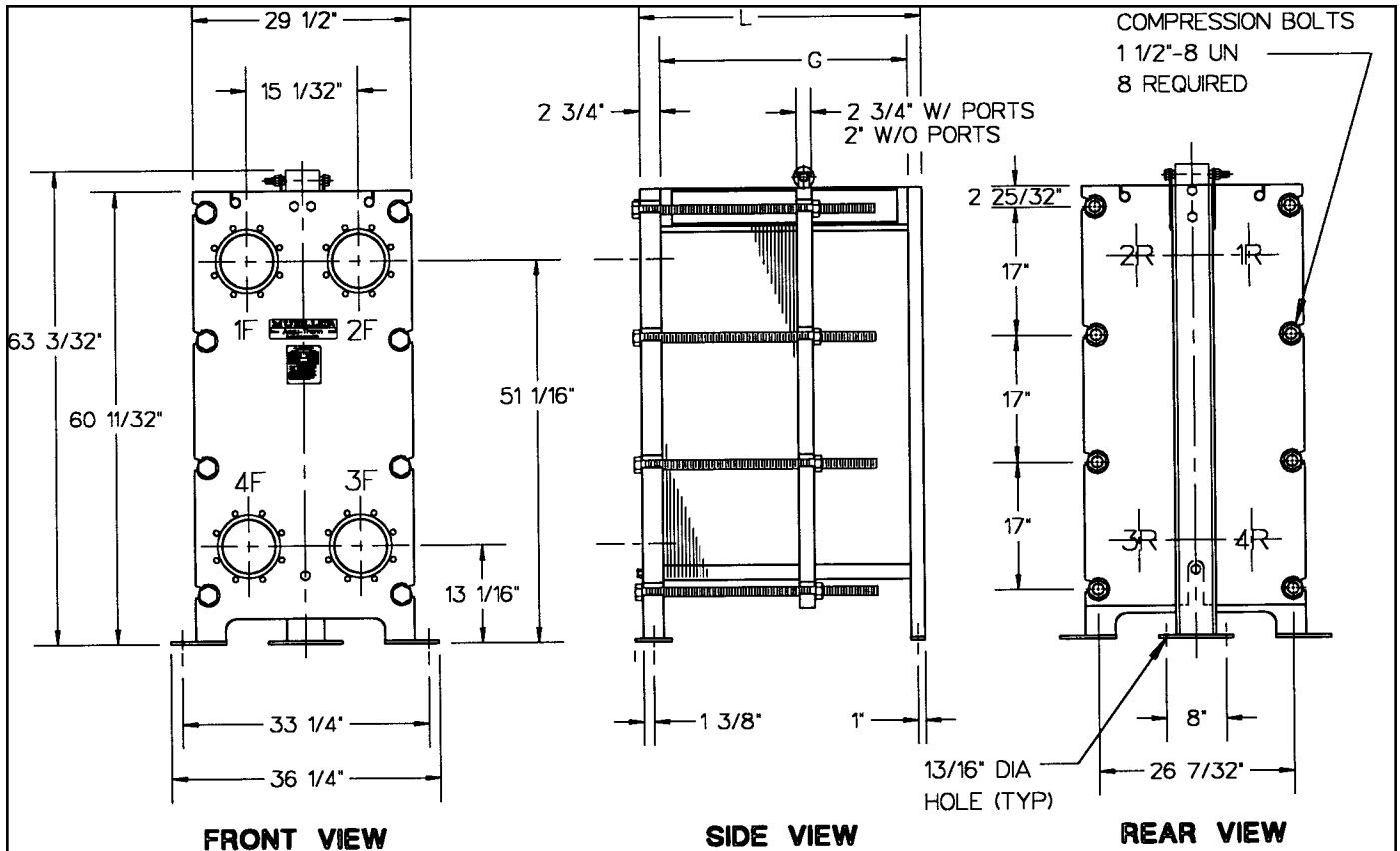


# Accu-Therm<sup>®</sup>

## Plate Heat Exchangers



**STANDARD CONNECTION**  
STANDARD 6" STUDDED PORT  
(REFER TO REVERSE SIDE FOR ADDITIONAL CONNECTION DETAILS).

### STANDARD MATERIALS OF CONSTRUCTION

- End frames ..... SA-515-70, SA-516-70, or equivalent
- Plate hanger ..... Type 304 stainless steel
- Compression bolts (zinc plated) ..... SA-193-B7
- Compression nuts (zinc plated) ..... SA-194-2H
- Connection studs (zinc plated) (optional).....SA-193-B7
- Connection nuts (zinc plated) (optional).....SA-193-2H
- Shroud (optional) ..... Type 304 stainless steel
- Paint ..... Corrosion-resistant paint

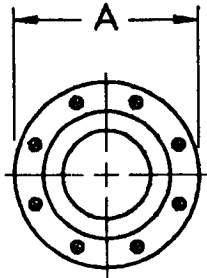
Refer to computer printout for variable dimensions and complete plate, gasket, and connection specifications.

**MUELLER<sup>®</sup>**

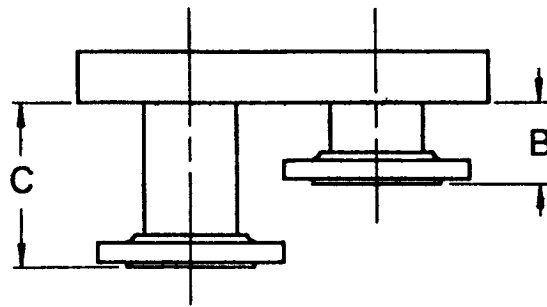
**MODEL AT805**  
**FRAME TYPE B-20**

**MUELLER**®  
 ACCU-THERM® PLATE HEAT EXCHANGER

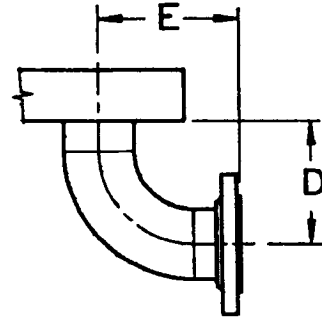
**FLANGED CONNECTIONS**



**FRONT VIEW**



**TOP VIEW**



**TOP VIEW**

Connection	SIZE	A	B	C	D	E	No. Bolts/Conn.	Bolt Size
Studded port	6"	—	—	—	—	—	8	3/4"-10 UNC
	8"	—	—	—	—	—	8	3/4"-10 UNC
Lap-joint flange	6"	11"	7 <sup>5</sup> / <sub>16</sub> "	—	—	—	8	3/4"-10 UNC
	8"	13 <sup>1</sup> / <sub>2</sub> "	5 <sup>7</sup> / <sub>8</sub> "	—	—	—	8	3/4"-10 UNC
Lap joint with elbow	6"	11"	—	—	11"	12"	8	3/4"-10 UNC
	8"	13 <sup>1</sup> / <sub>2</sub> "	—	—	14"	15"	8	3/4"-10 UNC

NOTE: 1. Adjacent flange faces must be offset in some cases. Flanges located at Port Positions 1 and 4 are extended to "C" dimension when offset is required.  
 2. If connections are other than the standard connection (shown on front), or if the unit is a multipass, contact Paul Mueller Company for clarification.

**PLATE CAPACITY / GUIDE LENGTH**

Guide length (DM G)	30"	48"	66"	84"	102"	120"	138"	156"
Frame length (DM L)	34 <sup>5</sup> / <sub>8</sub> "	52 <sup>5</sup> / <sub>8</sub> "	70 <sup>5</sup> / <sub>8</sub> "	88 <sup>5</sup> / <sub>8</sub> "	106 <sup>5</sup> / <sub>8</sub> "	124 <sup>5</sup> / <sub>8</sub> "	142 <sup>5</sup> / <sub>8</sub> "	160 <sup>5</sup> / <sub>8</sub> "
Plate cap. AT805 H/V 0.6 mm	49	134	219	304	389	475	560	645

**PLATE CAPACITY / COMPRESSION-BOLT LENGTH**

Compression-bolt length	12"	18"	24"	36"	48"	60"	78"	96"	114"	132"	144"
Plate cap. AT805 H/V 0.6 mm	22	51	79	136	193	250	335	420	505	591	645

**Paul Mueller Company**

P.O. Box 828 • Springfield, MO 65801-0828

Telephone: (417) 831-3000 • 1-800-MUELLER

Fax: (417) 831-6642