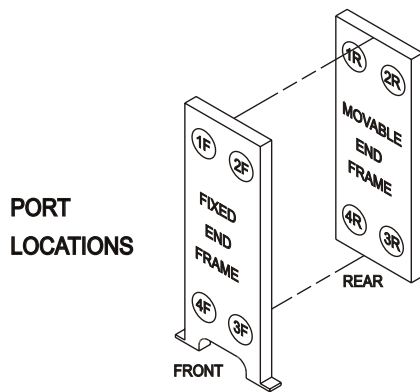
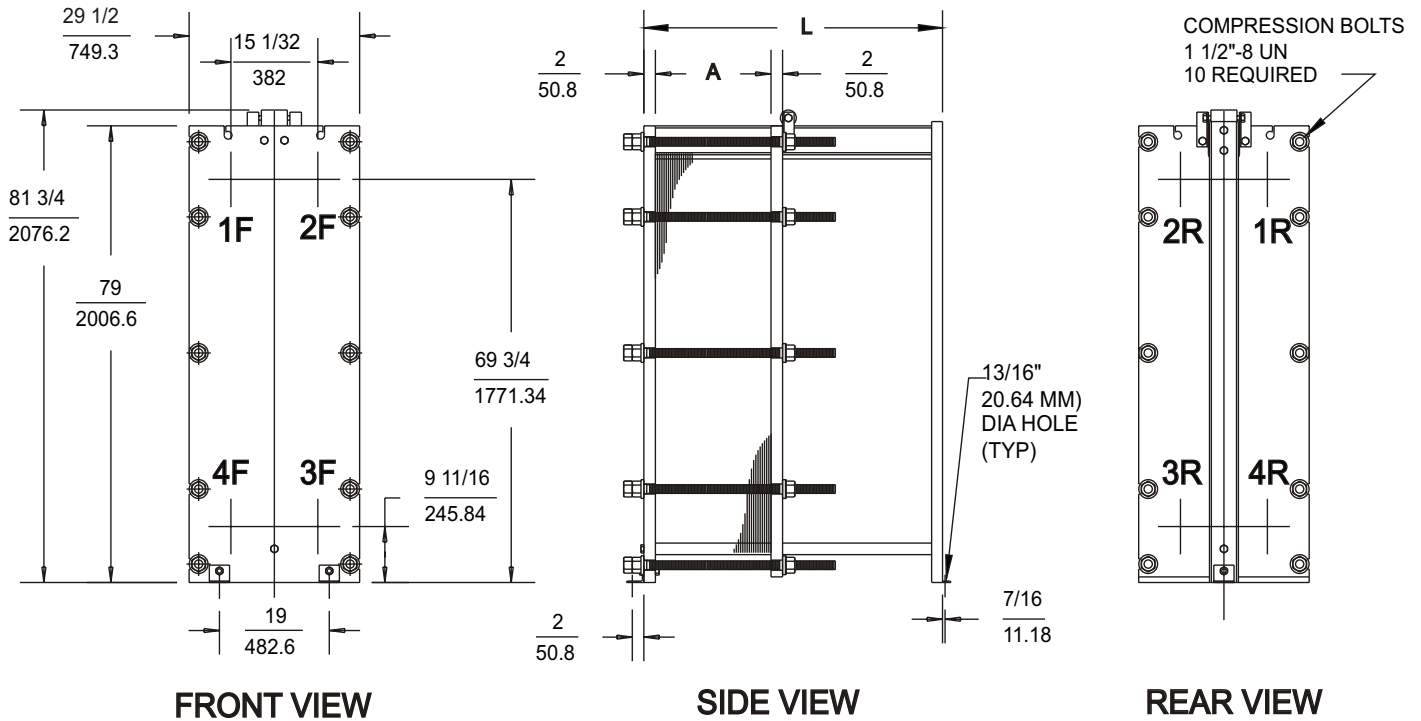


# Accu-Therm<sup>®</sup> Plate Heat Exchangers

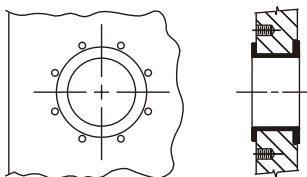


## STANDARD MATERIALS OF CONSTRUCTION

END FRAMES..... SA-515-70, SA-516-70 OR EQUIV  
 PLATE HANGER..... TYPE 304 S/S  
 COMPRESSION BOLTS (ZINC PLATED).....SA-193-B7  
 COMPRESSION NUTS (ZINC PLATED)..... SA-194-2H  
 CONNECTION STUDS (ZINC PLATED).....SA-193-B7  
 CONNECTION NUTS (ZINC PLATED)..... SA-193-2H  
 SHROUD (OPTIONAL)..... ALUMINUM  
 PAINT..... CORROSION RESISTANT PAINT

DIMENSIONS ARE FOR REFERENCE USE ONLY.  
 ACTUAL PRODUCTION DIMENSIONS ARE SUBJECT TO CHANGE.

REFER TO COMPUTER PRINTOUT FOR VARIABLE DIMENSIONS AND  
 COMPLETE PLATE, GASKET AND CONNECTION SPECIFICATIONS.



**MUELLER<sup>®</sup>**

**MODEL AT80  
FRAME TYPE LB-20**

REV DATE 07/26/07